

PROTECTION FROM ABOVE

ENHANCED SAFETY AGAINST VIRUSES, BACTERIA & MOLD

This location has certified
CLEAN AIR

GUV-UVC DISINFECTION
FDA & EPA approved

Plasma 20" Cone Pendant

EP-SACP-20IN Series | Ambient Lighting with Internal Plasma Air Disinfection**

*Green indicator light shows plasma disinfection system is active

PRODUCT FACTS

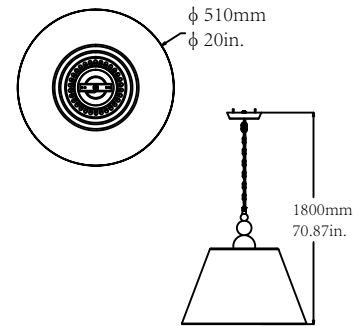


ENHANCED AIRBORNE PATHOGEN DEFENSE SYSTEM

PLASMA DISINFECTION SOLUTIONS

KEY PRODUCT FEATURES, DETAILS & SPECS

- Engineered with Blue Halo's 2nd Generation Plasma Technology to safely inactivate bacteria & viruses
- Nonthermal "cold" plasma is generated internally via our Patent Pending Proprietary Technology
- Internal circulation system pushes and disperses plasma from the plasma generator
- Improve air quality for use while the space is occupied (with no special controls, safety measures or training req'd)
- Green indicator light lets you know that the Blue Halo Plasma system is operational
- Plasma technology continually and proactively treats the air in the occupied space at the source of contamination
- Ambient LED 4000K performance equal to 21W @ 1,000 lumens
- ColorPreference® field selectable 3-CCT for added design flexibility (2400K, 3000K & 4000K)



*Preliminary image shown, sizing will stay roughly the same

STOCK ORDERING INFORMATION (typical 2-3 day shipment lead time)¹

Catalog Logic/PT#	Model #	UPC	Size	Lumens ²	LED Watts	LPW ²	System Watts	CCT	CRI ³	Voltage	Dimming
EP-SACP-20IN-PL-LB3-CP3-SV-D-B	547051030	6975367201213	20in.	600/800/1000	21	47	24	3-CCT	90 (min)	120V	Step Dimming
EP-SACP-20IN-PL-LB3-CP3-SV-D-B	547051040	6975367201220	20in.	600/800/1000	21	47	24	3-CCT	90 (min)	120V	Step Dimming

Notes:

1. Stock SKUs typically ship in 24-48 hours upon receipt of an approved released order.
2. Lumen value & LPW shown is for 4000K ColorPreference® setting.
3. ColorPreference®(2400K, 3000K & 4000K)
4. Search first 6-digits of the model # followed by '###' on the UL QPL to view UL qualified SKUs. (Ex. '547051###')



Plasma 20" Cone Pendant

EP-SACP-20IN Series | Ambient Lighting with Internal Plasma Air Disinfection**



MISCELLANEOUS PRODUCT SPECS & DETAILS

Load Information

Power Factor	> 0.90
THD	< 20%
Frequency	60 Hz
Sound Rating	65 dBA
Low Temp LED	-20° C (-4° F)
Max Temp LED	45° C (113° F)
Low Temp UVC LED	-30° C (-22° F)
Low Temp Fan	-10° C (14° F)
Unit Weight	35.23 lbs

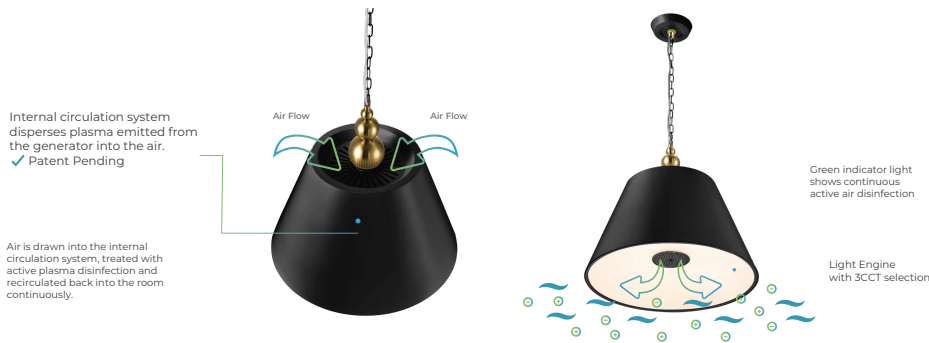
Plasma & Fan

Air Flow Rate	7 CFM
Fan Sound Rating	45 dBA
Fan Wattage	2.5W
Fan Lifetime	50,000 hrs

PLASMA FLAT PANEL OVERVIEW

The Plasma 20in cone pendant is a hybrid lighting solution that combines traditional LED ambient illumination with Blue Halo's new Plasma Technology. No specialized controls, safety measures or training required. All Plasma products can improve air quality when in use while the space is occupied vs. direct UVC solutions that can be a health and safety risk if not properly operated.

The second generation of Blue Halo utilizes nonthermal "cold" plasma. Our new luminaires will use an internal fan system to push and disperse plasma from out PATENT PENDING Proprietary Technology filling the space with positive and negative ions neutralizing harmful bacteria & virus and even odors. Blue Halo's Plasma Technology continually and proactively treats the air in the occupied space at the source of contamination.



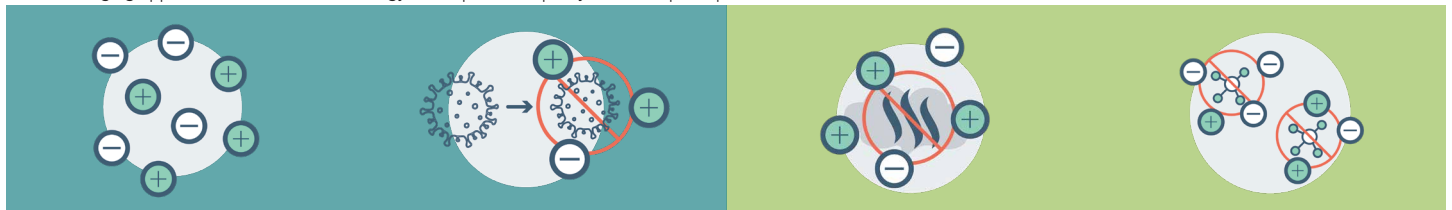
1. Nonthermal "cold" plasma is generated internally via our Patent Pending Proprietary Technology.
2. Internal circulation system pushes and disperses plasma from the plasma generator.
3. The space is filled with positive and negative ions neutralizing harmful bacteria and virus.
4. Plasma technology continually and proactively treats the air in the occupied space at the source of contamination.

*Tested on Staphylococcus albus 8032 and Influenza A Virus H1N1 with three fixtures at high speed mode for 2 hours in a 10m³ (353 Cubic ft.) chamber.

Removed 99.9% of Staphylococcus albus 8032 and Influenza A Virus H1N1 from the air. Tested on SARS-CoV-2 (commonly known as COVID-19) with three fixtures in high speed mode for 2 hours in a 18m³ (640 Cubic ft.) chamber. Removed 99.9% of SARS-CoV-2 (commonly known as COVID-19) from the air. Not proven to prevent the transmission of Covid-19. No air treatment device can guarantee the prevention of virus transmission. We recommend following CDC guidelines.

PLASMA TECHNOLOGY DETAILS

- Plasma is one of the four fundamental states of matter.
- A plasma is an electrically charged gas into which sufficient energy is provided to free electrons from atoms or molecules and to allow both species, ions and electrons, to coexist.
- A plasma is created when one or more electrons are torn free from an atom. Atoms that are missing electrons are called "ions". Ions have a positive electrical charge.
- A plasma is generally a mix of these positively charged ions and negatively charged electrons.
- Plasma occurs naturally on Earth from flames, lightening and the Aurora Borealis.
- Plasma is proven method in the medical field for disinfection/sterilization of medical devices, as well as the degradation of toxins and other pathological contaminants.
- Wide-ranging applications of Plasma Technology can improve air quality in all occupied spaces.



Airborne particles are charged by the ions released by the plasma generator causing them to cluster and easily be caught in the air.

This ionized air that contains positively and negatively charged molecules attract and kill germs on contact.

Odorous gases and aerosols oxidize on contact with ions and are neutralized as well.

Ions cause a chemical reaction with VOCs breaking down their molecular structure.