



PROTECTION FROM ABOVE
ENHANCED SAFETY AGAINST VIRUSES, BACTERIA & MOLD

This location has certified
CLEAN AIRE
GUV-UVC DISINFECTION
FDA & EPA approved



UVC HVAC Duct System

CAHVAC Series | UV-C HVAC Sterilizer

PRODUCT FACTS



ENHANCED AIRBORNE PATHOGEN DEFENSE SYSTEM UV DISINFECTION SOLUTIONS

KEY PRODUCT FEATURES, DETAILS & SPECS

- Engineered with the latest in UVC technology to inactivate bacteria & viruses*
- Improve air quality for use while the space is occupied (with no special controls, safety measures or training req'd)
- UVC wavelength at 254nm
- Installed with 4 high-output UVC lamp
- Unit installation: internal duct or external duct with 32" or 48" minimum duct insertion depth
- Includes installation templates for easy and safe field installation
- Green indicator light alerts that disinfection system is operational
- Warranty: Fixture: 3-years, Lamps: 1-year
- Easy access observation window allows for the inspection of lamp operations



STOCK ORDERING INFORMATION (typical 2-3 day shipment lead time)¹

Catalog Logic/PT#	Model #	UPC	Min Insertion Depth	UVC Lamps	Voltage	System Wattage
CAHVAC-32D-4-MV	558142000	849489067728	32"	4 x 30W	120 - 240V	120W
CAHVAC-49D-4-MV	558051000	849489066899	48"	4 x 50W	120 - 240V	200W

Notes:
1. Stock SKUs typically ship in 24-48 hours upon receipt of an approved released order.



UVC HVAC Duct System

CAHVAC Series | UV-C HVAC Sterilizer



SYSTEM OVERVIEW

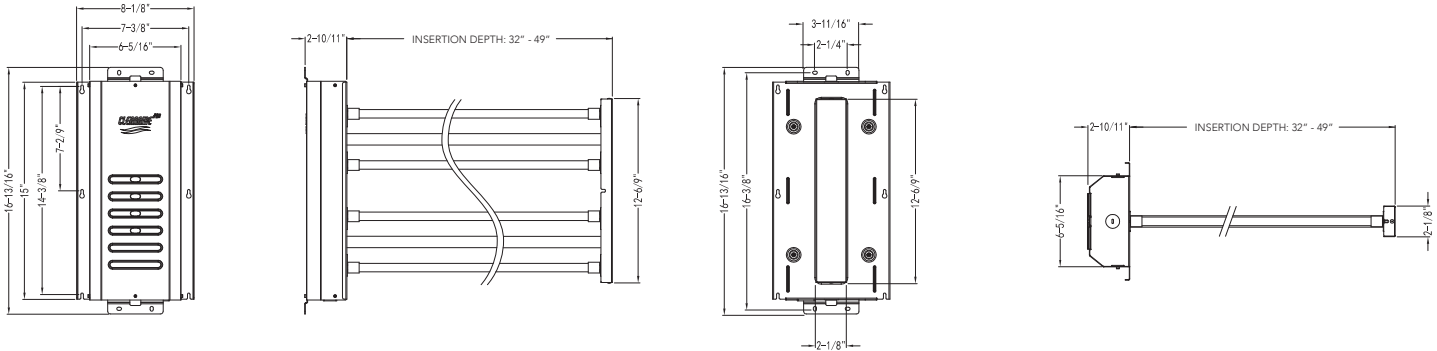
The Blue Halo product line offers a range of UV products for deeper surface and air disinfection. Ranging from UVC devices for schools, shops, and healthcare facilities to purifiers and cleaners meant for the home. Blue Halo products are designed to keep your home and work environment safe. Blue Halo products keep the air we breathe and the surfaces we touch clean and healthy.

The UVC lamp system is entirely concealed within your existing ductwork and can improve air quality for continuous use in occupied spaces. The UVC HVAC System is an excellent choice for hospitals, offices, retail & hospitality, schools, transportation, residential & more. ETISSL's comprehensive product solutions provide air and surface disinfection to help make the world a healthier & safer place to be.

*For 558142000: Tested on Staphylococcus albus 8032 with a bacteria sample at 5cm from the center point of the lamp tube. Removes 2.93×10^6 (cfu/pcs) of Staphylococcus albus to 1.05×10^2 (cfu/pcs) after 6 seconds of operation. 99.99% virus gross reduction achieved. Tested on Influenza A Virus H1N1 with a virus sample at 7cm directly below the lamp tube. 99.99% virus gross reduction achieved after 3 seconds of operation. Not yet tested on SARS-CoV-2 (commonly known as COVID-19). Not proven to kill SARS-CoV-2 or prevent the transmission of Covid-19. No air treatment device can guarantee the prevention of virus transmission. We recommend following CDC guidelines.

*For 558051000: Tested on Staphylococcus albus 8032 with a bacteria sample at 10cm from the center point of the lamp tube. Removes 2.93×10^6 (cfu/pcs) of Staphylococcus albus to 1.05×10^2 (cfu/pcs) after 6 seconds of operation. 99.99% virus gross reduction achieved. Tested on Influenza A Virus H1N1 with a virus sample at 15cm directly below the lamp tube. 99.99% virus gross reduction achieved after 7 seconds of operation. Not yet tested on SARS-CoV-2 (commonly known as COVID-19). Not proven to kill SARS-CoV-2 or prevent the transmission of Covid-19. No air treatment device can guarantee the prevention of virus transmission. We recommend following CDC guidelines.

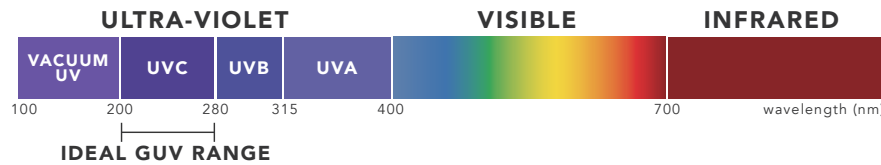
KEY DIMENSIONAL INFORMATION



UVC WARNINGS AND SAFETY

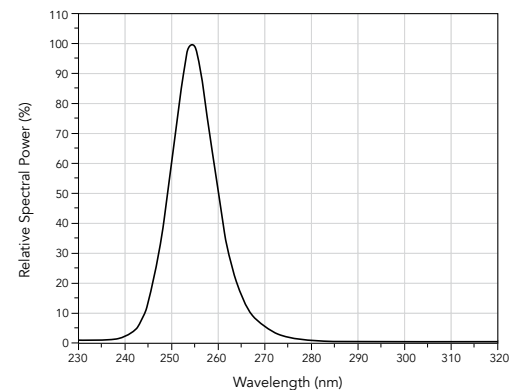
DANGER: Risk Group 3 UV product. Sources emit high-power UV radiation that can cause severe injury to skin and eyes. Avoid eye and skin exposure to unshielded product. Use only in spaces without occupants. UV may cause degradation and fading of paints, fabrics and other materials. Plants and/or materials that are exposed to UV-C and/or ozone for a long time may become damaged and/or discolored.

UV LED SPECTRUM DETAILS



- GUV (Germicidal Ultraviolet) is an effective and proven disinfection technology in use for over 35-years
- The short ultraviolet wavelengths in the photobiological band "UVC" is ideal in eliminating bacteria
- The UVC range is outside the visible spectrum of "light" that can quickly kill bacteria & inactivates viruses
- Thanks to its fast efficacy, GUV within the UVC range is great for air & surface disinfection
- The effectiveness is set by the exposure dosage in irradiance & time (how much & how long)
- Direct exposure to GUV within the UVC range can be a safety & health hazard to both the skin & eyes

CAHVAC Series UVC LED Spectrum



All specs are subject to change w/o notice & all reported values are nominal/typical measured under lab conditions @ 25° C (77° F).

**All references to "disinfection" are referring to the general reduction or inactivation of potential pathogens within a space.

**ETI SSL and its parent company does not promise/warrant the use of Blue Halo products will protect or prevent any end user from contamination and/or infection by any bacteria, mold, fungi, virus, illness or disease.

CADS5002A.PRELIMINARY.V1 | August 2nd, 2021 | Page 2 of 2



730 NW 7th ST
Fort Lauderdale, FL 33311

1.800.467.8737

www.BlueHaloLighting.com

info@bluehalolighting.com