

PROTECTION FROM ABOVE

ENHANCED SAFETY AGAINST VIRUSES, BACTERIA & MOLD

This location has certified
CLEAN AIRE

GUV-UVC DISINFECTION
FDA & EPA approved



UVC Commercial Grade Handheld Surface Sanitizer

CAHSS Series

PRODUCT FACTS



Surface
Disinfection



Unoccupied
Space Option

ENHANCED AIRBORNE PATHOGEN DEFENSE SYSTEM UV DISINFECTION SOLUTIONS

KEY PRODUCT FEATURES, DETAILS & SPECS

- Engineered with the latest in UVC technology to inactivate bacteria & viruses*
- UVC wavelength at 254nm
- Runtime of 40min with recharge time at 120min
- IP20 Rated
- Warranty: Fixture: 8,000hrs (1 Year)

STOCK ORDERING INFORMATION (typical 2-3 day shipment lead time)¹

Catalog Logic/PT#	Model #	UPC	Length	UV Wavelength	Charging Voltage	Charging Wattage
CAHSS-V1-HO-RB	558091000	849489067520	17.7"	254nm	120-240V	41W Max.

Notes:
1. Stock SKUs typically ship in 24-48 hours upon receipt of an approved released order.
*Tested on Staphylococcus albus 8032 with a bacteria sample at 1cm from the center point of the lamp tube. Removes 2.93x10⁶ (cfu/pcs) of Staphylococcus albus to 23 (cfu/pcs) after 5 seconds of operation. 99.99% virus gross reduction achieved. Tested on Influenza A Virus H1N1 with a virus sample at 2cm from the lamp tube. 99.99% virus gross reduction achieved after 2 seconds of operation. Not yet tested on SARS-CoV-2 (commonly known as COVID-19). Not proven to kill SARS-CoV-2 or prevent the transmission of Covid-19. No air treatment device can guarantee the prevention of virus transmission. We recommend following CDC guidelines.



SYSTEM OVERVIEW

The Blue Halo product line offers a range of UV products for deeper surface and air disinfection. Ranging from UVC devices for schools, shops, and healthcare facilities to purifiers and cleaners meant for the home. Blue Halo products are designed to keep your home and work environment safe. Blue Halo products keep the air we breathe and the surfaces we touch clean and healthy.

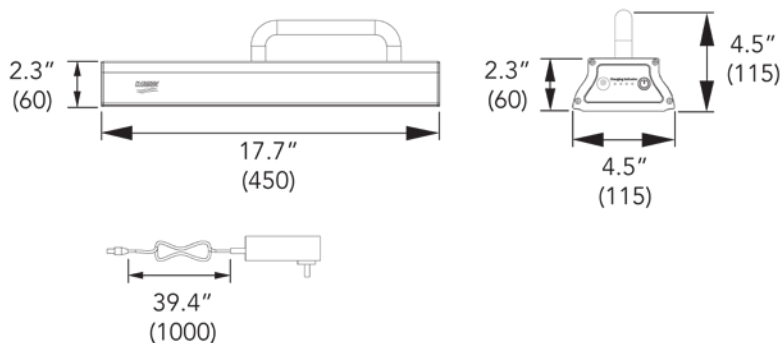
MISCELLANEOUS PRODUCT SPECS & DETAILS

Lamp Technology	UVC Lamp
Charging Voltage	120-240V
UV Lifetime	8,000 Hours
UV Wavelength	254nm
UV Irradiance	≥4900 μW/cm ² (2cm)
Working Wattage	30.5W Max.
Frequency	50/60 Hz
Working Voltage	DC18-23.8V
Working Temp	-20° C (-4° F) - 45° C (113° F)

PRODUCT IMAGES



KEY DIMENSIONAL INFORMATION

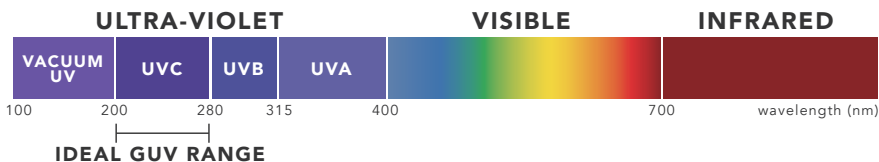


UVC WARNINGS AND SAFETY

Warning: UVC exposure is harmful to humans and animals. Prevent any exposure by leaving prior to the unit turning on. In severe cases, headache, dizziness, increased body temperature, eye irritation, or decreased vision, skin irritation, itching, swelling, etc. Please consult your doctor immediately.

Safety: 1. The product cannot be used for lighting purposes. 2. This product is only intended for disinfecting surface objects and surrounding air. This product is not to be used to disinfect the human body and can be dangerous to humans and animals. 3. Use with caution, damage can occur to objects that are not resistant to ultraviolet rays. 4. After disinfecting, please put away the product and the remote control to avoid accidental light on and accidental injury. 5. If UV disinfecting lamp is accidentally broken, handle with extreme care. Ventilate the area and use gloves to clean up. The lamp contains mercury do not vacuum up with a standard vacuum cleaner as it can create dust & mercury vapor. 6. If the lamp accidentally touches skin, wash thoroughly. Handle broken glass with gloves. 7. This product is not food rated or to be used over food prep areas.

GERMICIDAL UV LED SPECTRUM DETAILS



- GUV (Germicidal Ultraviolet) is an effective and proven disinfection technology in use for over 35-years
- The short ultraviolet wavelengths in the photobiological band "UVC" is ideal in eliminating bacteria
- The UVC range is outside the visible spectrum of "light" that can quickly kill bacteria & inactivates viruses
- Thanks to its fast efficacy, GUV within the UVC range is great for air & surface disinfection
- The effectiveness is set by the exposure dosage in irradiance & time (how much & how long)
- Direct exposure to GUV within the UVC range can be a safety & health hazard to both the skin & eyes

CAHSS Series UVC LED Spectrum

